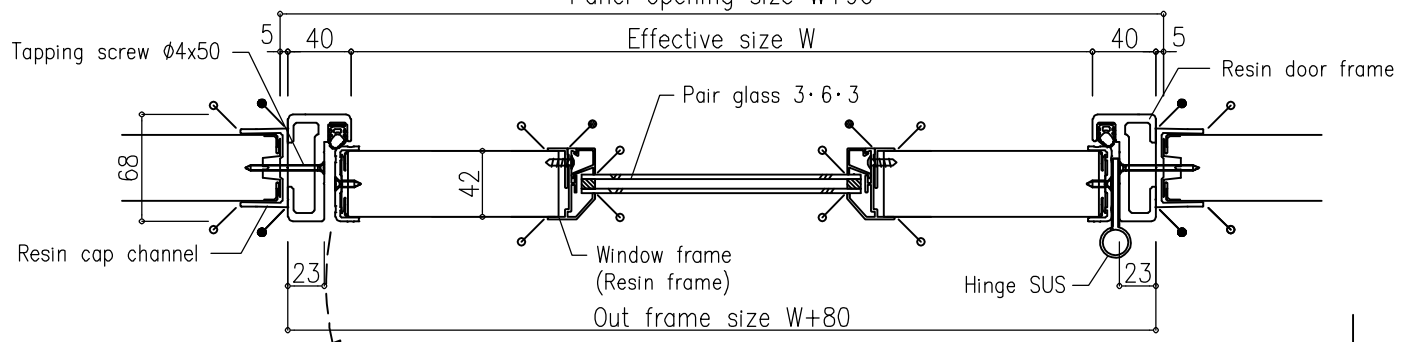
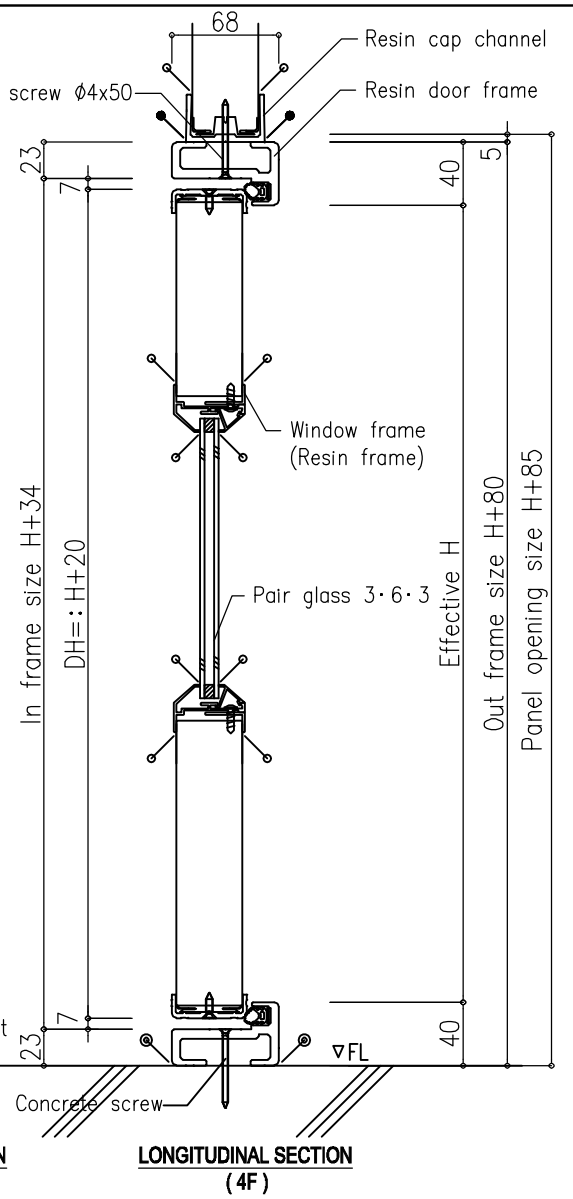
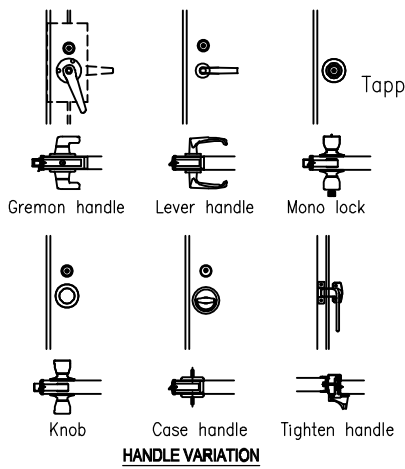
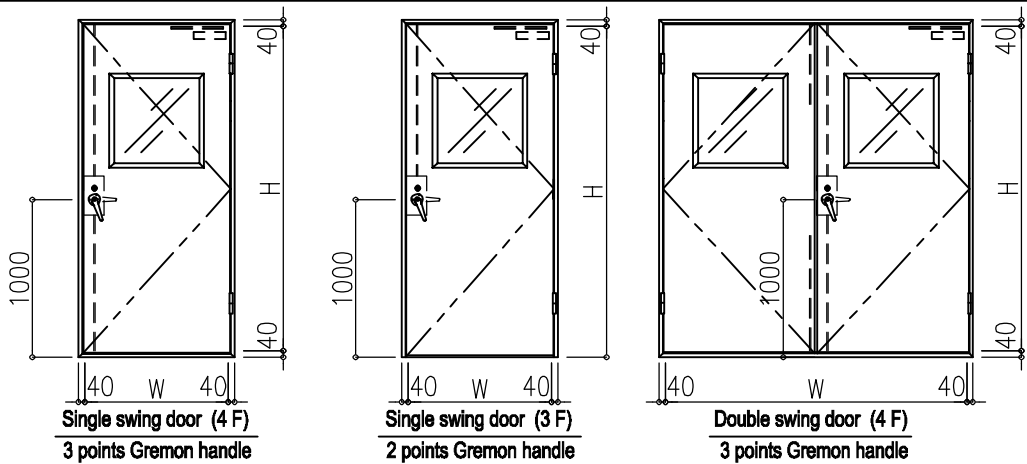



Findoor - Single & Double swing door (Resin frame)



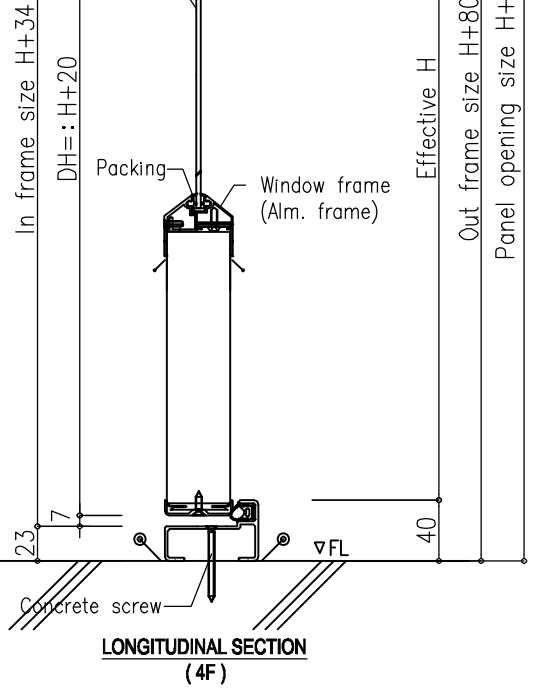
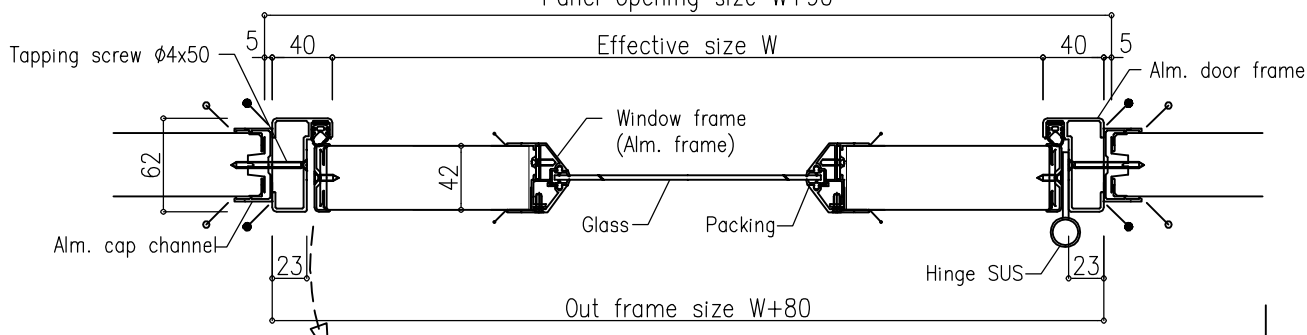
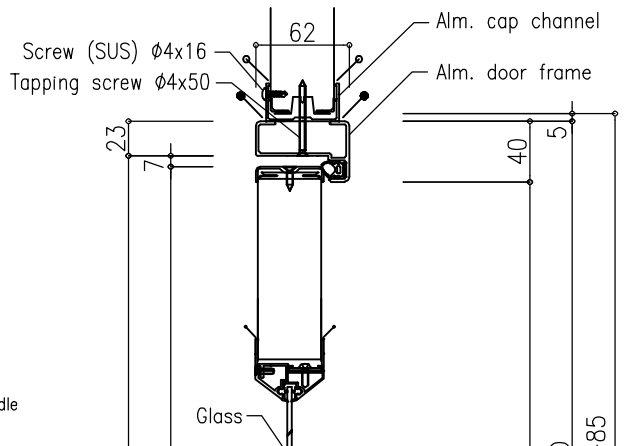
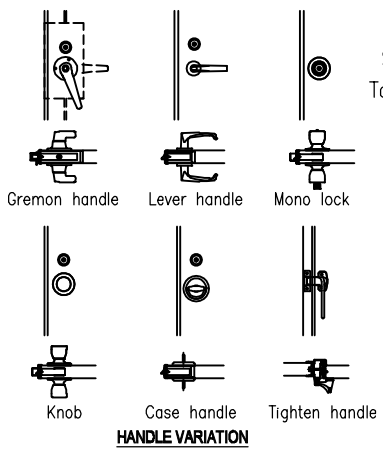
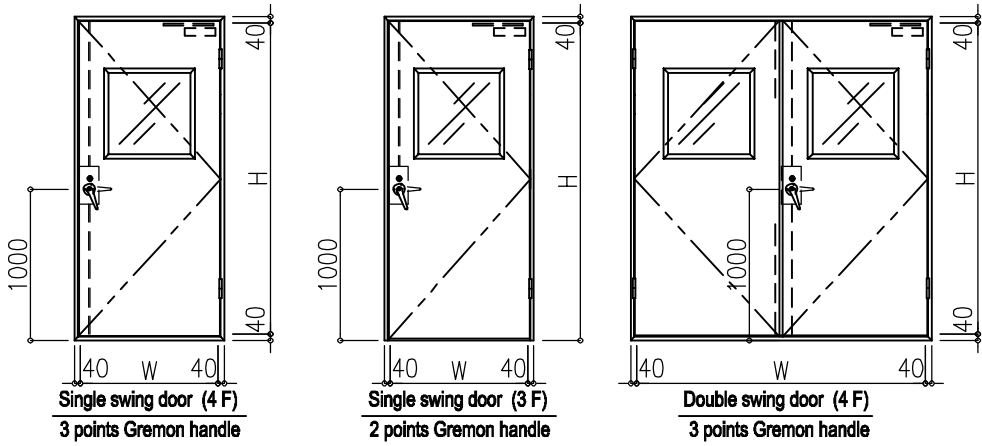
Opening dimensions (mm)	Single swing door (4F)	Single swing door (3F)	Double swing door (4F)	Double swing door (3F)
Standard effective size	W810xH2020	W810xH2060	W1710xH2020	W1710xH2060
Maximum effective size	W1200xH2500	W1200xH2500	W2400xH2500	W2400xH2500
Minimum effective size	W520xH920	W520xH960	W720xH920	W720xH960

Door thickness	42 mm
Component	Polyisocyanurate foam
Surface material	Color steel sheet, Anti static steel sheet, Stainless steel, Galvalume steel sheet
Remarks	<ul style="list-style-type: none"> ● If Door size equal or smaller than the standard size, It has 2 hinges (Top and bottom only) ● If door has Door Closer, Minimum W=600 ● If Door Height is small, handle level is lower than 1000 ● The size and position of window may be limited by the W,H dimensions of the door ● If Door Width > Door Height. It is limited to W : H = 1.5 : 1 ● If W is wide, Door surface material may be spliced into 2 pieces ● Electric lock can be installed

- Legend**
- Caulking (Panel color) Actual on site
 - Caulking (Light gray) Actual on site
 - ⊙ Floor caulking, be decided after meeting

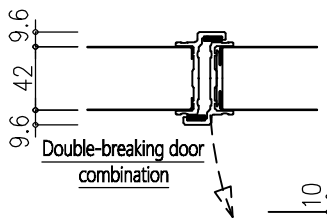
Drawing name	Findoor Single & Double swinda door (Resin frame)	Scale	A4-1/10	Revise NO.	_____	Orders NO.	_____	Drawing NO.	CS-37
								 日軽パネルシステム株式会社	

Findoor - Single & Double swing door (Aluminium frame)



CROSS SECTION VIEW

Opening dimensions (mm)	Single swing door (4F)	Single swing door (3F)	Double swing door (4F)	Double swing door (3F)
Standard effective size	W810xH2020	W810xH2060	W1710xH2020	W1710xH2060
Maximum effective size	W1200xH2500	W1200xH2500	W2400xH2500	W2400xH2500
Minimum effective size	W520xH920	W520xH960	W720xH920	W720xH960




Door thickness	42 mm
Component	Polyisocyanurate foam
Surface material	Color steel sheet, Anti static steel sheet, Stainless steel, Galvalume steel sheet
Remarks	<ul style="list-style-type: none"> ● If Door size equal or smaller than the standard size, It has 2 hinges (Top and bottom only) ● If door has Door Closer, Minimum W=600 ● If Door Height is small, handle level is lower than 1000 ● The size and position of window may be limited by the W,H dimensions of the door ● If Door Width > Door Height. It is limited to W : H = 1.5 : 1 ● If W is wide, Door surface material may be spliced into 2 pieces ● Electric lock can be installed

Legend

- Caulking (Panel color) Actual on site
- Caulking (Light gray) Actual on site
- Floor caulking, be decided after meeting

LONGITUDINAL SECTION (3F)

LONGITUDINAL SECTION (4F)

Scale	A4-1/10	Revise NO.	Orders NO.	Drawing NO.
Drawing name		Findoor		
Single & Double swina door (Aluminium frame)		 日軽パネルシステム株式会社		